

Pre-Thread Roll Machining Drawing

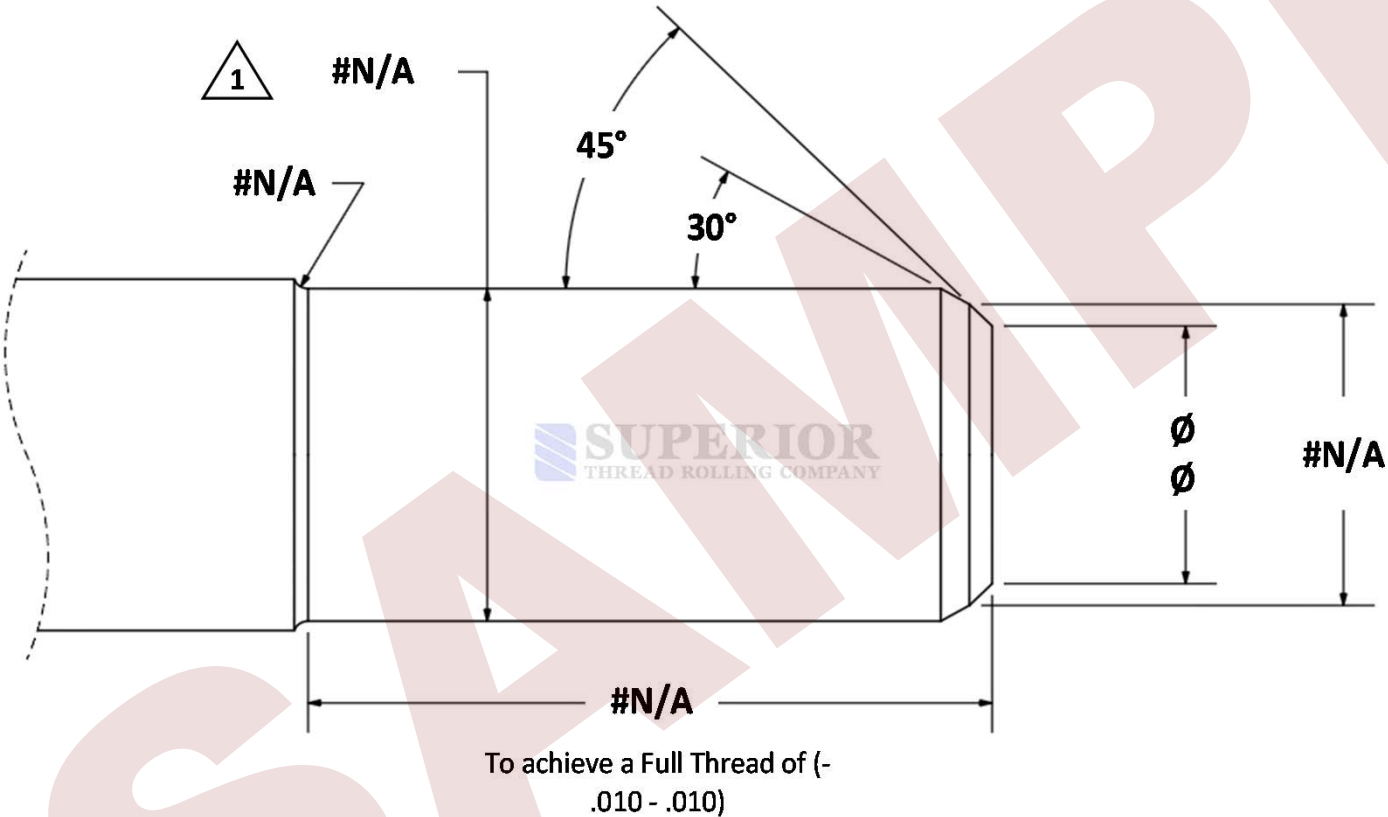
Thread Size:	Choose... - Choose...
Thread Form:	Choose...
Thread Class:	Choose...
Thread Plate Thickness:	N/A

B/P Chamfer Angle:	45°
B/P Chamfer Size:	(-.010 - .010)

Undercut Ø:	N/A
Undercut Length:	N/A

Notes:

1. 125 Finish or Better on Thread Diameter



DRAWING NOT TO SCALE

All dimensions are in inches unless otherwise specified
 Part must meet B/P requirements. This drawing is for thread rolling preparation only.
 Version 1.3

Rev.
 STR Drawing Rev:
 Created By:
 Date: 01/00/1900